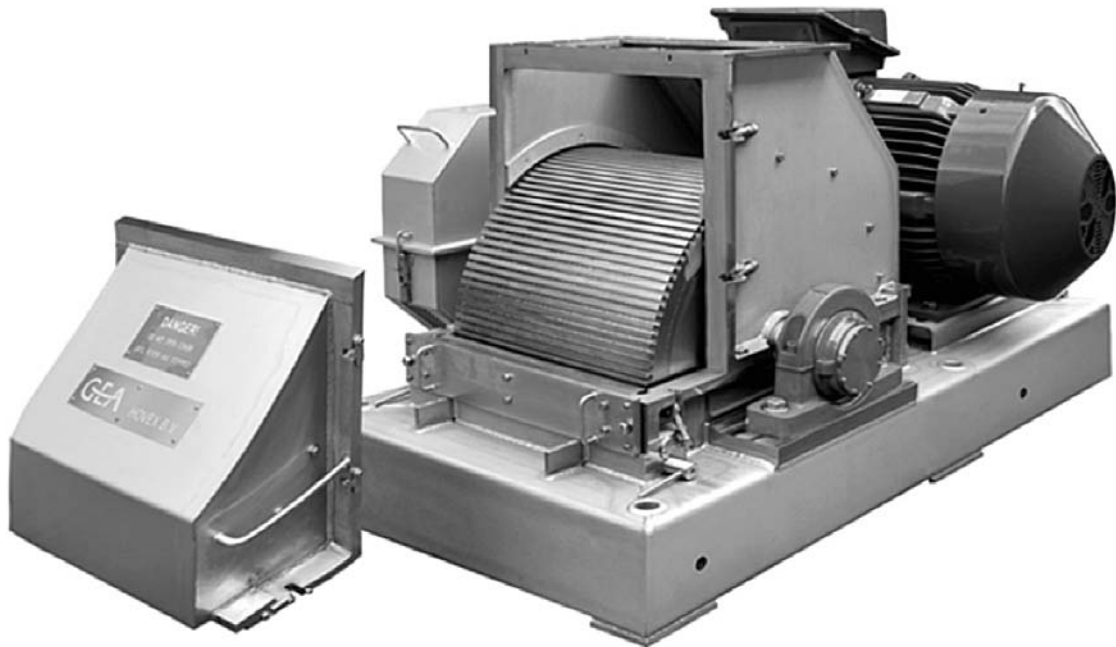


Hovex Rasper

HRD 300 / 400 / 500 / 600*

* Indicates rotor span width



High speed rotor (2.100 rpm)

- Highest milling efficiency

Double cutter block & reversible rotation

- Constant and smooth milling performance
- Long saw blades life time

Superior saw blades clamping design

- Instant saw blade exchange
- Solid clamping
- Easy service and maintenance

Advanced –two piece- rotor bearing design

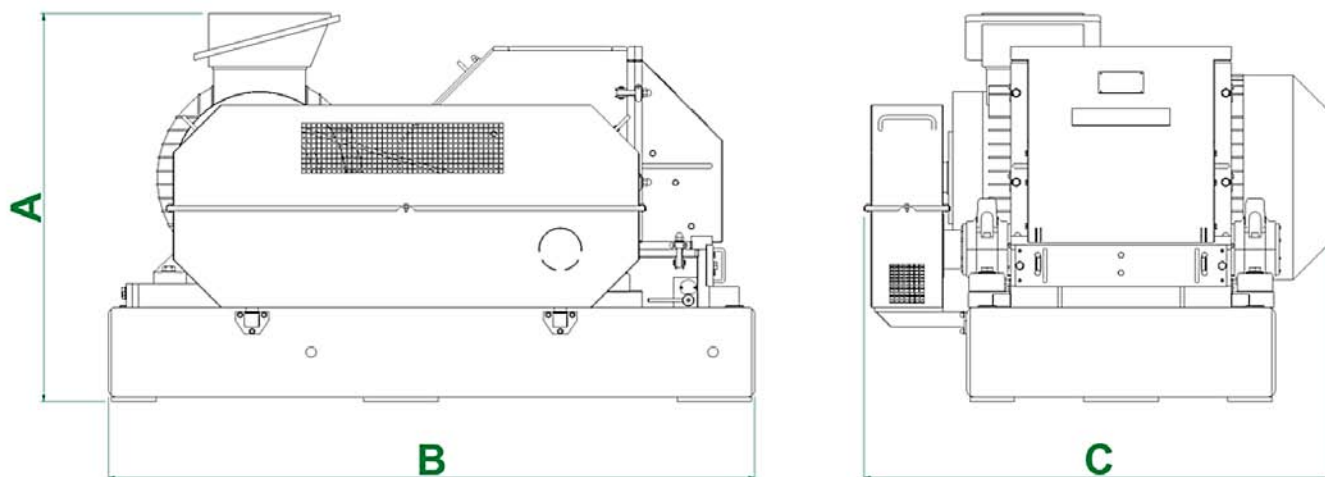
- Flexible house mounting
- Automatic accurate alignment
- Easy replacement, service & maintenance
- Heavy load resistant

Full Stainless Steel

- Best-in-Class durability

Technical Data

HRD 300 / 400 / 500 / 600



Model	HRD 300	HRD 400	HRD 500	HRD 600
A (mm)	1190	1190	1190	1300
B (mm)	2170	2170	2170	2170
C (mm)	1090	1190	1285	1580

	HRD 300	HRD 400	HRD 500	HRD 600
Netto load (kg)	3000	3000	3400	3400
Capacity potatoes (t/h)	9	20	30	40
Capacity roots (t/h)	5	12	17	22