

Hovex Open Drum Vacuum Filter HFSO



State-of-the-art design

- Full capacity flexibility
- Continuous system
- Optional integrated conveyor

Excellent performance

- High starch de-watering quality
- Internal cleaning
- Variable drum speed control
- Adjustable scraper with stellite cutting edges
- Highest dry substance
- Continuously adjustable level control

Full stainless steel

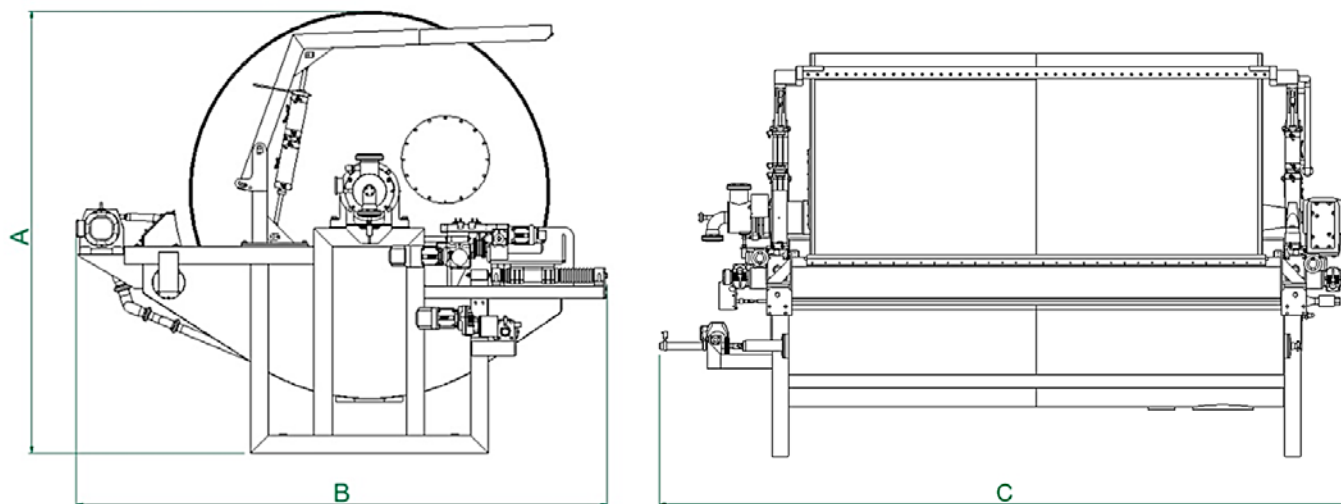
- Sustainable and long lifetime

Optional

- Moveable continuous cleaning nozzles
- Pneumatic scraper knife/through cleaning device
- Pneumatic cake knock off/through spray pipe
- Moveable scraper knife increasing the precoat lifetime and increasing the length of uptime
- Surface treatment for cleaning ability and more hygienic applications

Technical Data

HRD 300 / 400 / 500 / 600



Model	HFSO 16m ²
A (mm)	2110
B (mm)	2850
C (mm)	4500

