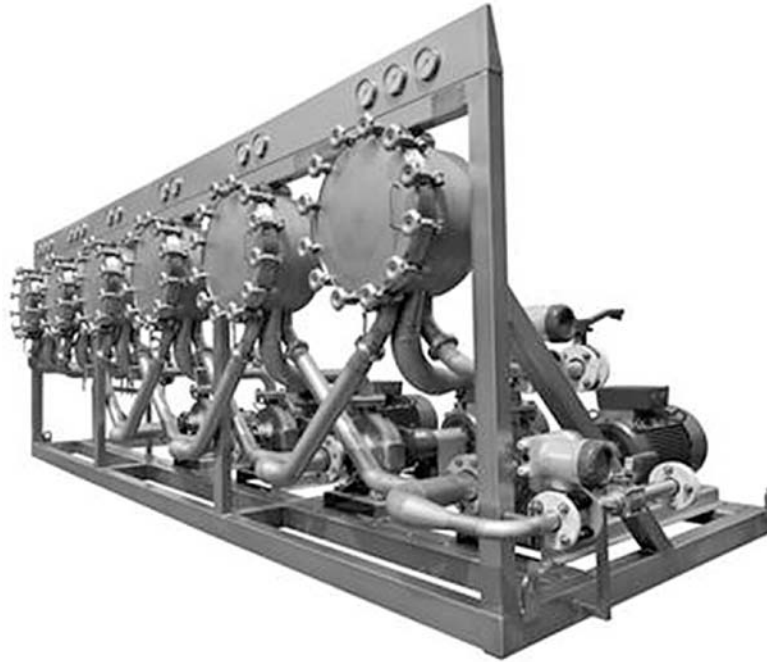


# Hovex Hydro Cyclone unit

## HCC 300 / 350 / 400 / 450 / 500 / 550 / 600\*

\*) Indicates cyclone housing diameter



### State-of-the-Art mechanical design

- No internal leakage: optimal sealing
- Pumps: single mechanical seal with internal flush
- High wear resistant cyclonettes
- Compact Design: serial and stacked
- Easy operation, service & maintenance
- Full capacity flexibility

### Excellent performance

- High outlet concentration (> 22Be)
- Excellent starch yield
- Low energy consumption
- Minimum down time
- Cleaning-In-Place (CIP)

### Applications

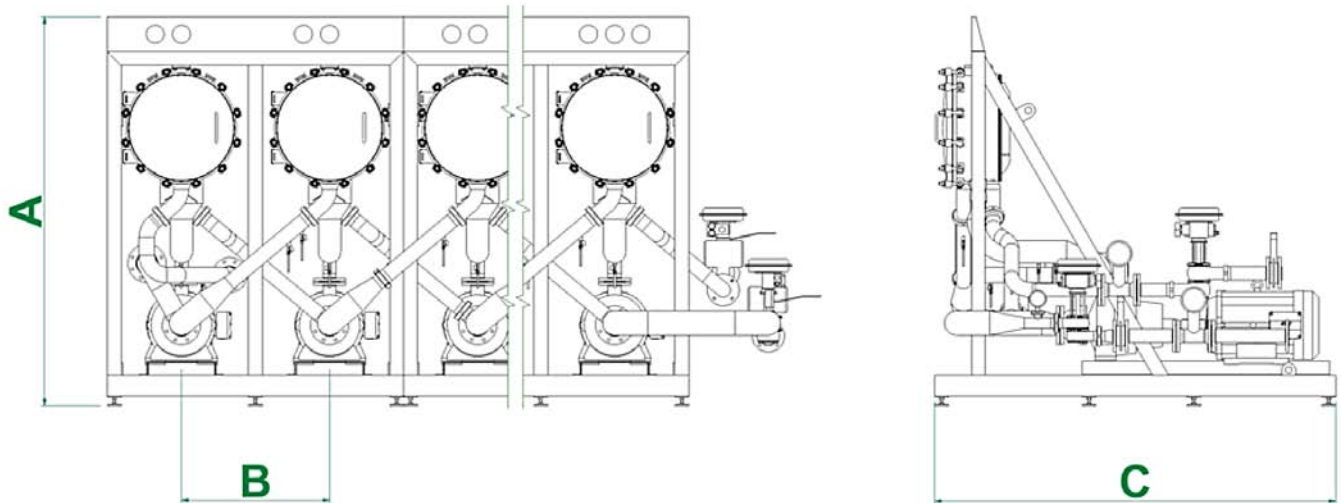
- Concentration
- Peeler starch recovery
- Refining and washing of suspensions

### Full stainless steel

- Sustainability and long lifetime

# Technical Data

## HCC 300 / 350 / 400 / 450 / 500 / 550 / 600



Model	HCC 300	HCC 350	HCC 400	HCC 450	HCC 500	HCC 550	HCC 600
A (mm)	1400	1400	1400	1400	1400	1400	1400
B (mm)	950	950	950	950	950	950	950
C (mm)	2300	2300	2300	2300	2300	2300	2300

Model	HCC 300	HCC 350	HCC 400	HCC 450	HCC 500	HCC 550	HCC 600
A (mm)	1400	1400	1400	1400	1400	1400	1400
B (mm)	950	950	950	950	950	950	950
C (mm)	2300	2300	2300	2300	2300	2300	2300